

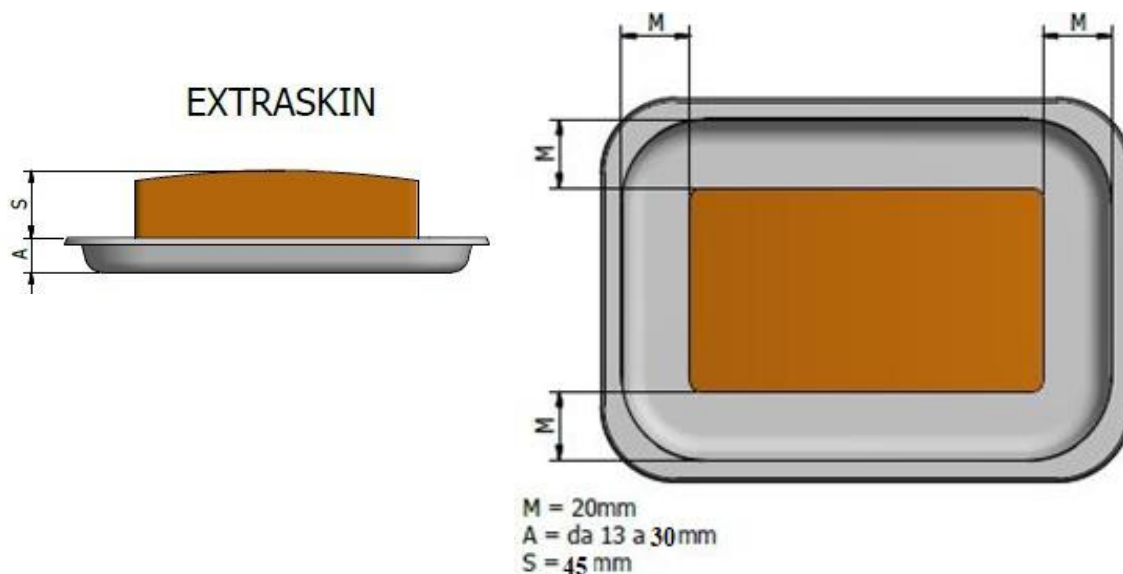
EXTRASKIN

S Y S T E M

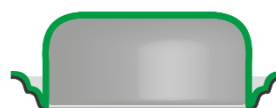
Skin technology system consists in a special kind of application that creates a welding as a second invisible skin around the product, thus keeping product freshness and natural appearance. The sealing film fits around the product shape without damaging the product itself, the result gives a better and neater look to the product.

Products freshness is guaranteed through high barrier material and high vacuum degree.

Due to the sticking between the film and the whole tray surface there is no liquid loss (blood, water, serum) and there is no liquid stagnation around the product.



EXTRA SKIN ON
CARDBOARD



EXTRA SKIN
ON TRAY